



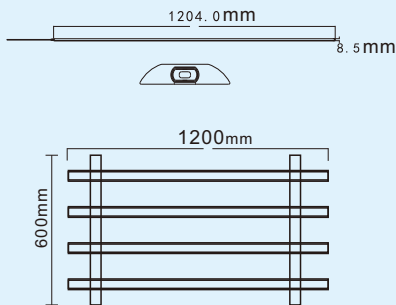
Easy installation and replacement
 Excellent reliability and consistency energy-saving



Product Information and Specification

Item description	LEDZW72W
Input voltage/Frequency [VAC][HZ]	120V /240V/277V VAC
Input Current [A]	0.6/120V、0.3/240V、0.26/277V
Luminous flux [Lm]	7200
Color	4000K
Color rendering index [Ra]	85
Flux of emitted photons (umol/s)	105
Beam angle [H.V]	120°
Average angle [h]	54000
Ambient temperature	-25-40℃
Chip	SAMSUNG 2835
Storage environment	-40 -85 RH10%-95%

Dimension



Photometric parameter

